

VI-6727 Digital Control Interface

Installation and Operation Manual V1.04

Beijing VSAIL Fire Protection Equipment Co. Ltd.
Building 32, Huilongsen Technology Park,
No.99 14th Kechuang Street, BDA, Beijing, PRC

VSAIL

Features

- ◇ Addressable
- ◇ Easy Installation
- ◇ Designed to comply with EN 54-18:2005
- ◇ Operation without external power supply

Description

VI-6727 Digital Control Interface is designed for linkage control of fire alarm system and fire extinguishing system. It can transmit action signals from those devices to the fire alarm control panel through a loop.



Technical data

Operating Voltage:	16-28V(Modulated-pulse)
Standby Current:	≤0.5mA
Alarm Current:	≤1.0mA
Wiring	Two-wire (non-polarized)
Temperature range:	-10℃~50℃
Humidity:	≤95%RH, (40±2℃) No condensation
Remote Control Output Indication:	Output LED Emitting
Signal inputting Indication:	Input LED Emitting
IP Rating:	32
Installation Base	VB-6618

Installation

- ◇ **Dimensions: Showing on Fig.1**

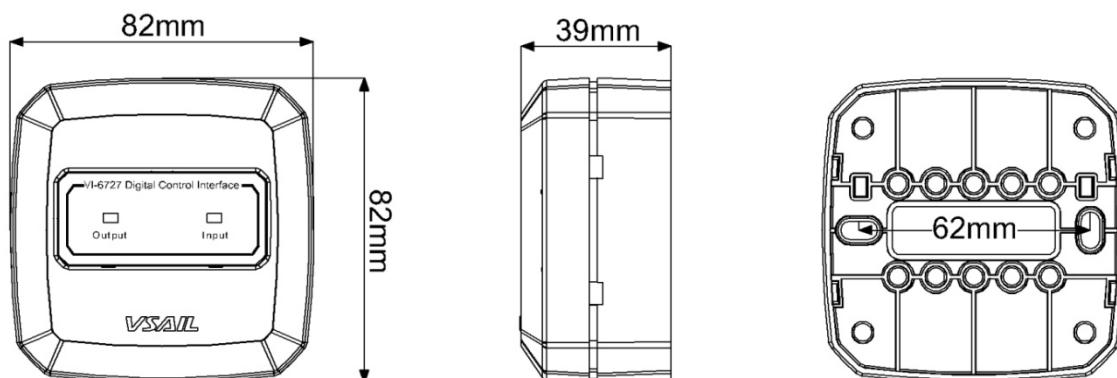


Fig.1

- ◇ **Mounting:**

Warning: Please disconnect the loop power in order to avoid control panel broken by short circuit when mounting Base.

1. Make sure the mounting direction mark "↑" on Base is upwards .
2. Install the base stable by using two screws, and connect all cables in accordance with wiring details.
3. Install the control interface body on to base directly.
4. Control interface Mounting showing in Fig.2.

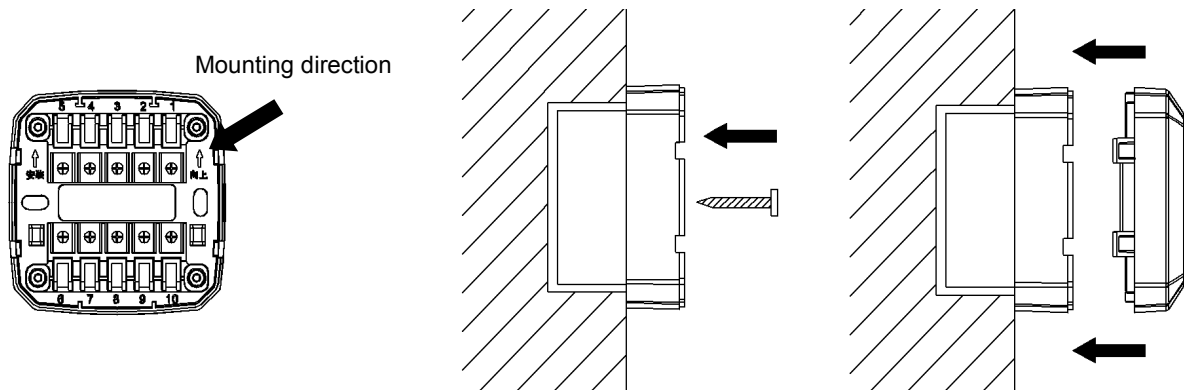


Fig.2

Terminal Connection

1. **1, 2:** Connecting with Detection loop (Non-polarized) L+;L-
2. **6, 7:** NO; C Normally Open Contact.
3. **7, 8:** NC; C Normally Close Contact.
4. **9, 10:** Connecting with input signal contact.
5. Loop wiring is shown in Fig3
6. Use RSV 1.0mm² or above fire cable for each terminal. Laid through metal tube(cable sink) or PVC tube.

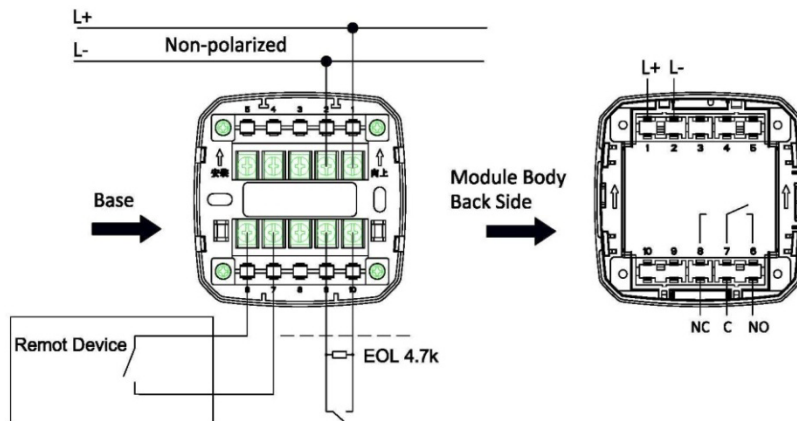


Fig.3

Note:

- ◇ Relay contact capacity: 1A at 30VDC.
- ◇ Input contact must be connecting EOL resistor 4.7k.
- ◇ Connect Passive switch signal at input contact.

Address setting

1. VI-6537 Digital Programmer is used to write an address of the VI-6727. Connecting Programmer with loop terminals of VI-6727 before it installation.
2. Set address, Pressing Write key, the address will be shown on the numeric display if successful. It is fail if there is no address. Please refer to VI-6537 Digital Programmer Manual for details.
3. Address range should be within 0—255. The address is unique in a loop.

Testing

Warning: Power is switched on after all devices are installed completely.

It's important that to test after the "Control Interface" has been installed.

- ✧ **Registration:** The fire alarm control panel will registers the Control Interface on line to check if the address of the Control Interface mounted is the same address as that registered in the control panel.
 - ✧ **Output test:** Control Interface will action when received start order from control panel, Output indicator on Control interface will illuminates steadily.
 - ✧ **Input test:** Short circuit "Control interface" inputs, the "Input/Operate" LED illuminates steadily and the control panel will give the feed-back indication.
 - ✧ **Reset:** Reset the control interface through control panel after test.
-

Fault Finding

Control Interface Fault on Control Panel	Check wiring of control Interface base, no water no short-circuit and open circuit. Check the connection between Module body and common base. Internally fault of control Interface
No response or missing	Incorrect address setting.
Address Fault	Address is set incorrectly, Reset by VI-6537 Digital Programmer.

Cautions

1. Dust cover on control Interface shouldn't be removed between installation and acceptance test to avoid damage.
 2. If the control interface gives a fault after a long operation, first check if it is damaged, wiring fault or the position is changed. At last, other faults should be taken into consideration.
 3. Fire alarm test requirement as specified in applicable codes, we suggest to test every 12 month.
-

Limited Warranty

VSAIL warrants that the product will be free of charge for repairing or replacing from defects in design, materials and workmanship during the warranty period. This warranty doesn't cover any product that is found to have been improperly installed or used in any way not in accordance with the instructions supplied with the product. Anybody, including the agents, distributors or employees, is not in the position to amend the contents of this warranty. Please contact your local distributor for products not covered by this warranty.