

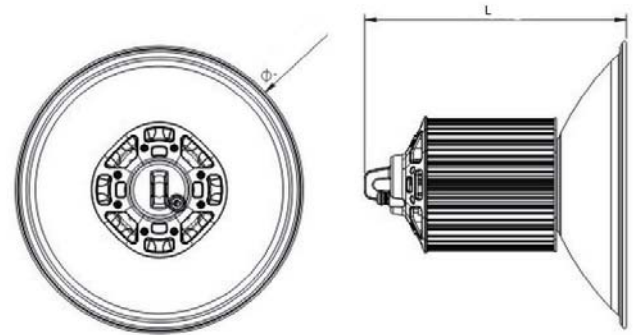
### Overview:

This LED High bay is a direct replacement for existing mercury-vapour, metal-halide, or sodium high bay lights often found in warehouses, workshops, and sporting venues. These are simply the best solution for any warehouse lighting. Easy to mount however you would like. Comes ready to hardwire into existing wiring.

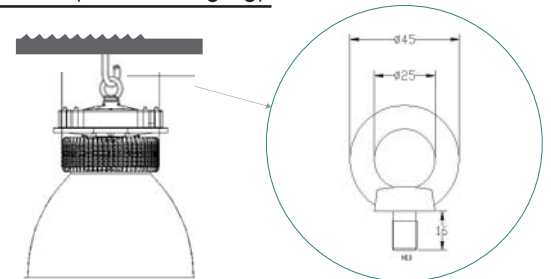


### Features:

- LED high bay series is using the super bright Philips LEDs for perfect illumination
- Heat pipe-Riveting and massive fins cooling technology
- Heat dissipation with compressed Fins Technology design
- Beam angle 45°, 60°, 90°, 120° could be selected by different reflector



### Installation (Hook Hanging)



### Mounted Height Recommendation:

Power	Height	Illuminance	Beam angle
100W	8m	200 Lux	45°
150W	12m	200 Lux	45°
200W	14m	200 Lux	45°

### Specification:

Model	HB-3000	HB-3010	HB-3020	HB-3030	HB-3040	HB-3050
Power	60W	100W	150W	200W	240W	300W
Lumen	6000 lm	10000 lm	15000 lm	20000 lm	24000lm	30000lm
Power factor	>0.95	>0.95	>0.95	>0.95	>0.95	>0.95
Input voltage	85-265 VAC	85-265 VAC	85-265 VAC	85-265 VAC	85-265 VAC	85-265 VAC
CCT	2200K ~ 6000K					
CRI	Ra>80					
Luminous efficiency	90~100 lm/W					
IP grade	IP54					
Beam angle	45°, 60°, 90°, 120°					
Material	Aluminum					
Working temperature	-25°C ~ +50°C					
Life span	50000 Hours					
Dimension	D182*H163mm	D182*H200mm	D182*H240mm	D225*H240mm	D284*H220mm	D284*H260mm
Net weight	3.35kg	3.85kg	4.5kg	5.4kg	6.7kg	7.9kg